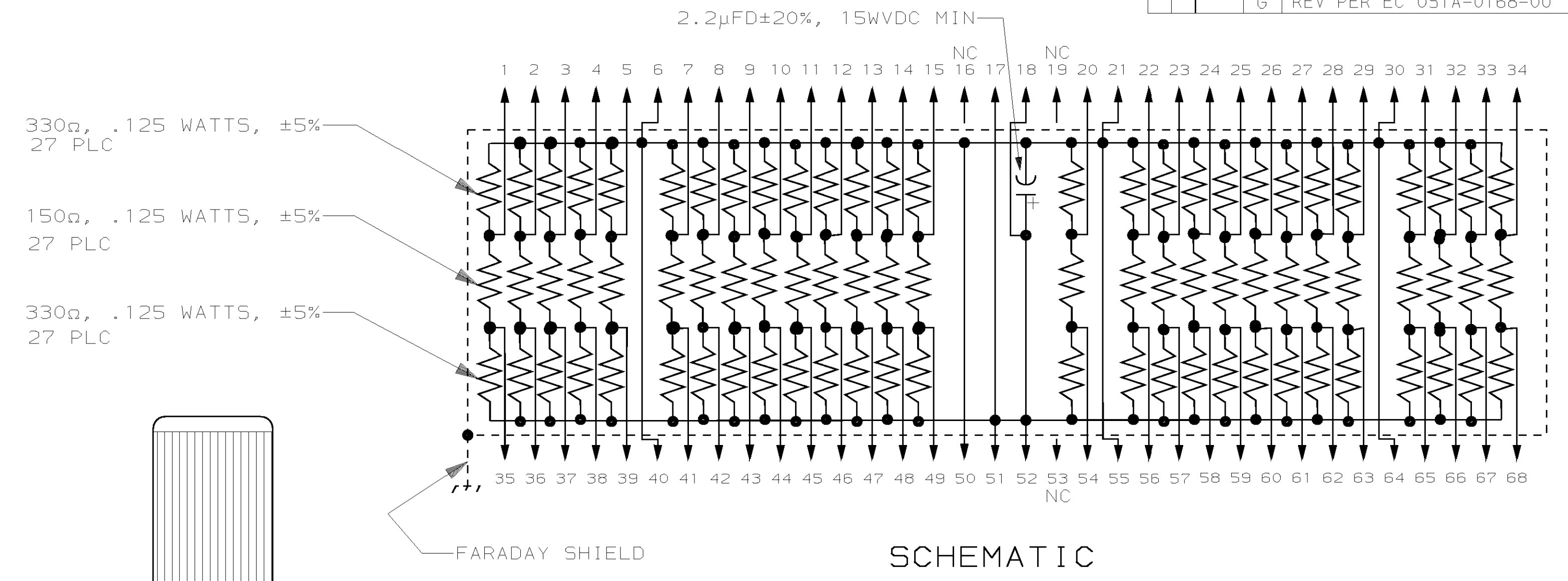
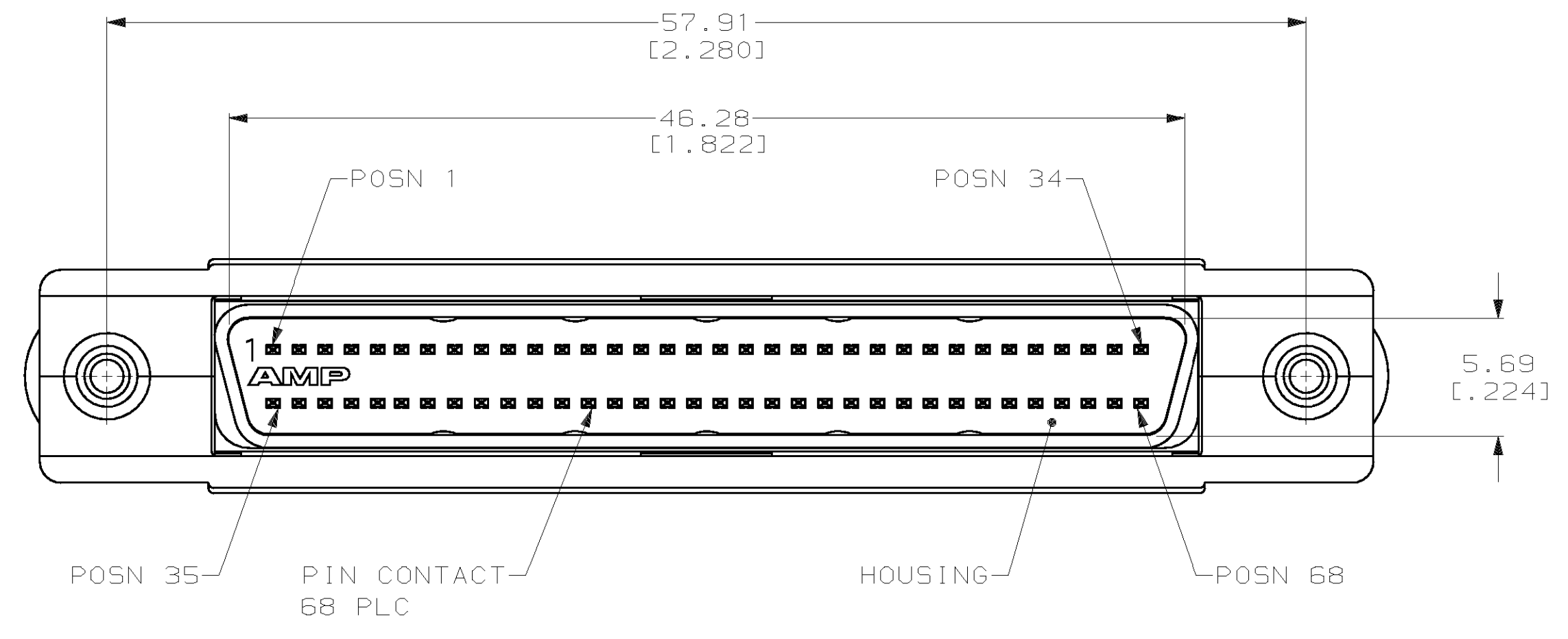
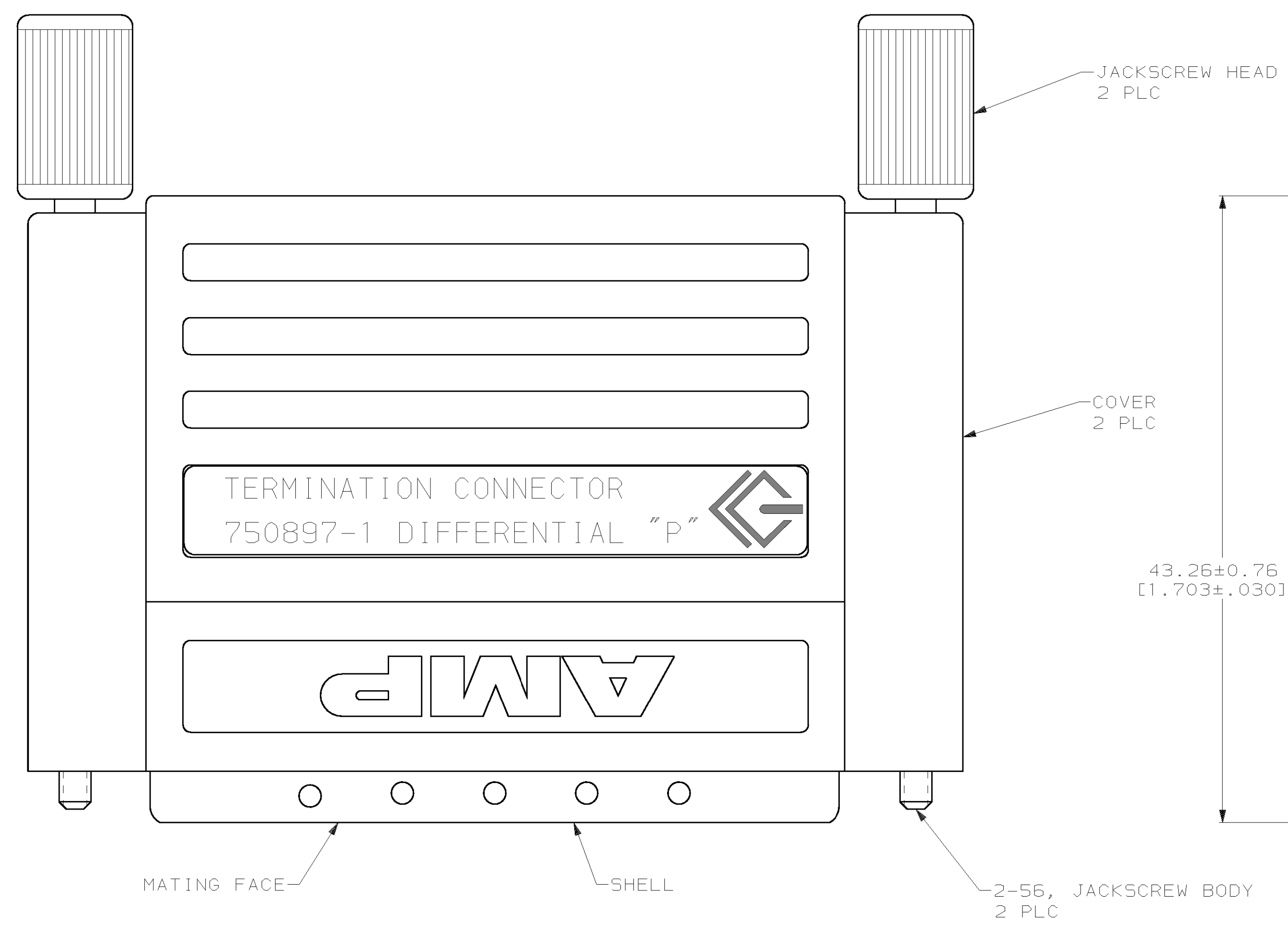
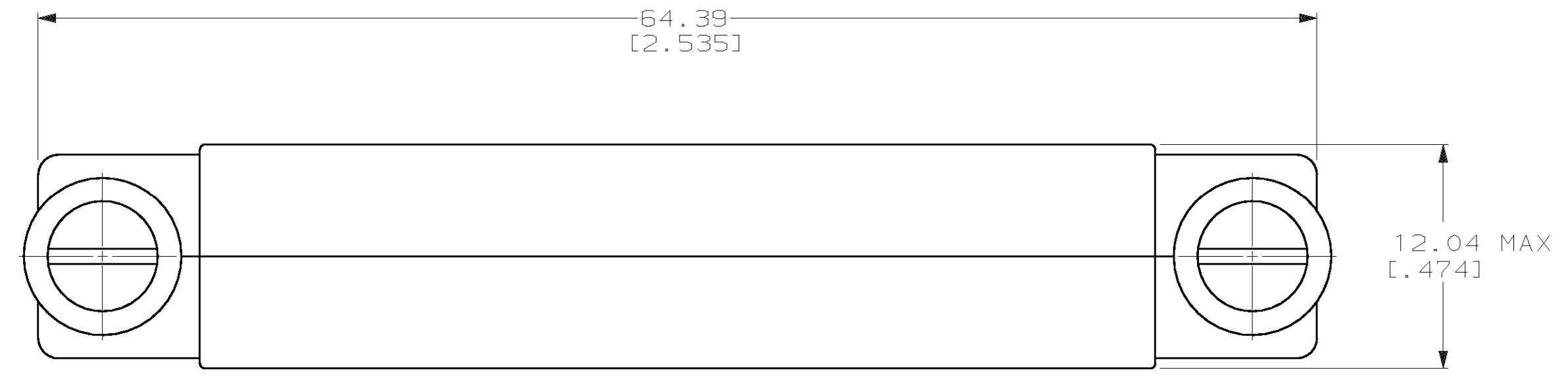


LOC	DIST	P	F	ZONE	LTR	DESCRIPTION	DATE	APPD
BD	62					D REV PER EC0020-1589-93	03/23/94	MP
						E REV PER EC 0020-0186-95	05/23/95	RF
						F REV PER EC 0640-166-99	24 JUN 99	JK
						G REV PER EC 051A-0168-00	23 JUN 00	MG



- 1 SHELL: CARBON STEEL; PIN CONTACT: PHOSPHOR BRONZE; HOUSING: POLYESTER, BLACK; RESISTOR: THICK FILM RESISTOR COMPOSITION ON ALUMINA SUBSTRATE. JACKSCREW BODY: STAINLESS STEEL; JACKSCREW HEAD: PVC; COVER: ABS; SHIELD: COPPER.
- 2 5.08μm[.000200] MIN TIN-NICKEL OVER 1.27μm[.000050] MIN COPPER.
- 3 0.76μm[.000030] MIN GOLD FOR A LENGTH OF 3.35[.132] MIN FROM MATING END OVER 1.27μm[.000050] MIN NICKEL.

DO NOT SCALE PRINT. UNLESS SPECIFIED DIMENSIONS IN mm [INCHES] TOLERANCES ON: 2 PLC DEC ± 0.25[.010] 3 PLC DEC ± - ANGLES ± -		DR 8-1-91 J McCLINTON		750897-1 PART NO	
CHK 8-12-91 R.STONE		APPD 8-15-91 W.D.FLESHMAN		AMP Incorporated Harrisburg, PA 17105-3508 NAME PLUG ASSEMBLY, 68 POSITION, .050 SERIES AMPLIMITE™ TERMINATOR	
MATERIAL		APPD 8-15-91 C.ROHDE			
FINISH SHELL: 2 CONTACTS: 3		APPLICATION SPEC -		SIZE D	CAGE CODE 00779
		WEIGHT -		SCALE 4:1	DRAWING NO 750897
					SHEET 1 OF 1